

# Pressure Gauge

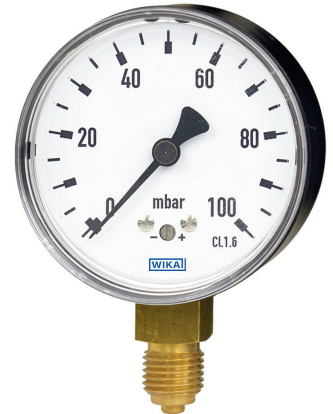
low pressure design serie 2060

dim 63 mm

E 02.16.01

ed.22.01

<b>Application</b>	Industrial pressure gauge for low pressure. Suitable for media that will not obstruct the pressure system or attack copper alloy parts.
<b>Design</b>	EN 837-3
<b>Type</b>	<b>Serie 2060</b>
<b>WIKA type no</b>	611.10
<b>Case diameter</b>	Dim 63 mm
<b>Accuracy</b>	Class 1,6%
<b>Case</b>	Black finish steel case
<b>Window</b>	Plastic, snap-fit
<b>Pressure element</b>	Copper alloy
<b>Pressure unit</b>	mbar, mmvp, mmvp/Pa, Pa, kPa, psi, mmHg
<b>Scale</b>	White plastic scale
<b>Pressure connection</b>	G1/4". Option also G1/8" or 1/4"NPT
<b>Mounting</b>	Lower or back mount also front flange
<b>Weather Protection</b>	IP 32 enlgt EN 60529/IEC 529
<b>Zero adjustment</b>	Zero adjustment through window
<b>Lowest pressure range</b>	25 mbar
<b>Pressure limitation</b>	Full scale value by steady pressure 90% of full scale value by fluctuating pressure
<b>Permissible temperature</b>	Medium temperature max -40 till +80°C Ambient temperature max -40 till +60° C
<b>Certificates</b>	Certificate EN 10204 can be delivered as options Test report wetted parts EN 10204-2.2 Inspection certificate wetted parts EN 10204-3.1
<b>Production options</b>	Design Degreased for oxygen services Dial with colored sectors or with customer logo



**2060**  
Lower mount



**2061**  
Back mount



**2067**  
Back mount  
front flange



**2069**  
Lower mount  
front flange

# Pressure Gauge

low pressure design serie 2060

dim 63 mm

E 02.16.01



Pressure range	Interval	Divisions
0-25 mbar	1,0	25
0-40 mbar	2,0	20
0-60 mbar	2,0	30
0-100 mbar	5,0	20
0-160 mbar	5,0	32
0-250 mbar	10,0	25
0-400 mbar	20,0	20
-25/0 mbar	1,0	25
-40/0 mbar	2,0	20
-60/0 mbar	2,0	30
-100/0 mbar	5,0	20
-160/0 mbar	5,0	32
-250/0 mbar	10,0	25
-400/0 mbar	20,0	20

## Accuracy

### Max permissible error 1,6%

The accuracy is expressed as a percentage of full scale range. Permissible error 1,6% will cover 0% till 100% of scale range with a reference temperature of +20°C.

Ex. Pressure range 0-10 bar has an error of  $\pm 1,6$  mbar

### Temperature effect

Temperature of the measuring system over or under the reference temperature +20°C will effect the accuracy with 0,4 percentage per +10°C. With a medium temperature of +40°C the accuracy will be  $\pm 2,8\%$ .

### Unit mbar

Low pressure in mbar

10 mbar = 0,01 bar

10 mbar = 100 mmvp

10 mbar = 1000 Pa = 1 kPa

10 mbar = 0,145 psi

## Overpressure and vaccum safe

### Overpressure and vaccum safe

10 times overpressure safe from range 0-40 mbar

3 times overpressure safe in ranges < 0-40 mbar

10 times vacuum safe from range 0-40 mbar

3 times vacuum safe in ranges < 0-40 mbar

## Special options



### Stainless steel

Stainless steel version

type 2860, 2861, 2865, 2867, 2869

Datasheet 02.16.02

# Pressure Gauge

low pressure design serie 2060

dim 63 mm

E 02.16.01

Code table for ordering							
Range	Unit	Lower	Back		Front flange		Front flange
0-25	mbar	20602322	20612322	-	20672322	-	20692322
0-40	mbar	20602324	20612324	-	20672324	-	20692324
0-60	mbar	20602325	20612325	-	20672325	-	20692325
0-100	mbar	20602326	20612326	-	20672326	-	20692326
0-160	mbar	20602327	20612327	-	20672327	-	20692327
0-250	mbar	20602328	20612328	-	20672328	-	20692328
0-400	mbar	20602329	20612329	-	20672329	-	20692329
-400/0	mbar	20602360	20612360	-	20672360	-	20692360
-250/0	mbar	20602359	20612359	-	20672359	-	20692359
-160/0	mbar	20602358	20612358	-	20672358	-	20692358
-100/0	mbar	20602357	20612357	-	20672357	-	20692357
-60/0	mbar	20602356	20612356	-	20672356	-	20692356
-40/0	mbar	20602355	20612355	-	20672355	-	20692355
-25/0	mbar	20602354	20612354	-	20672354	-	20692354
-20+80	mbar	20602378	20612378	-	20672378	-	20692378
-40+60	mbar	20602379	20612379	-	20672379	-	20692379
-50+50	mbar	20602377	20612377	-	20672377	-	20692377
-50+200	mbar	20602381	20612381	-	20672381	-	20692381
-50+350	mbar	20602380	20612380	-	20672380	-	20692380
-200+200	mbar	20602382	20612382	-	20672382	-	20692382

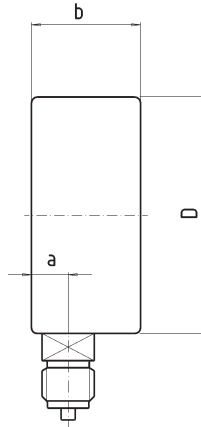
# Pressure Gauge

low pressure design serie 2060

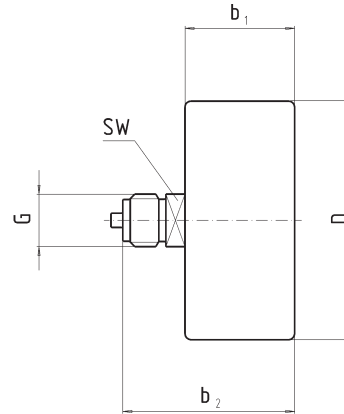
dim 63 mm

E 02.16.01

Lower mount type 2060



Back mount type 2061



Dim Ø	a	b	b <sub>1</sub>	b <sub>2</sub>	D	G	h	SW	weight
63	9,5	33	42	63	62	G1/4"	53	14	0,25